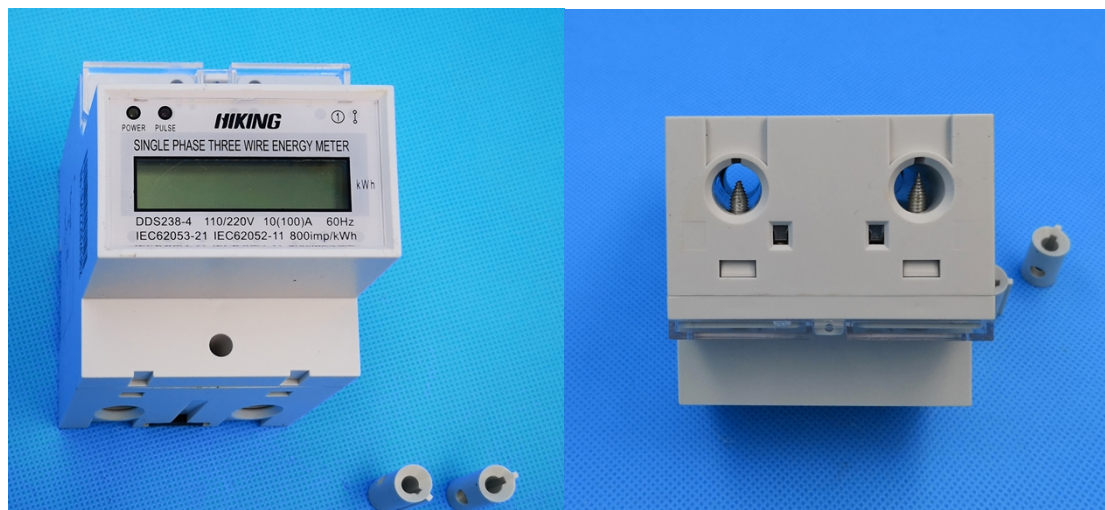


DDS238-4 single phase three wire din rail type watt hour meter (D1410)



The meter is designed to measure single phase three wire AC active energy like residential, utility and industrial application. It is a long life meter with the advantage of high stability, high over load capability, low power loss and small volume.

Basic Function

- ★LCD 6+1
- ★Bi-directional total active energy measurement, reverse active energy measure in the total active energy
- ★Power on LED indication
- ★Pulse LED indicates working of meter, Passive pulse output with optical coupling isolation
- ★Core through type wire connection
- ★35mm din rail installation, bottom wire connection

Technical Data

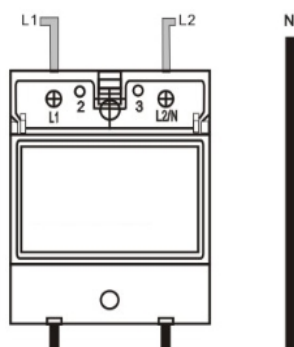
Rate voltage	110/220V or 120/240V
Working voltage range	0.8~1.2Un
Rate Current	10(100)A or other as required
Frequency	50Hz or 60Hz \pm 10%
Connection mode	Core through type
Display	mechanical step register
Accuracy class	1.0
Power consumption	<1W/10VA
Start current	0.004Ib
AC voltage withstand	4000V/25mA for 60 sec
Impulse Voltage	6kV 1.2 μ s waveform
Over current withstand	30Imax for 0.01s
IP grade	IP20

Noting : other voltage , current are also available . Other function also can be special design as customer requirement

DDS238-4 single phase three wire din rail type watt hour meter (D1410)

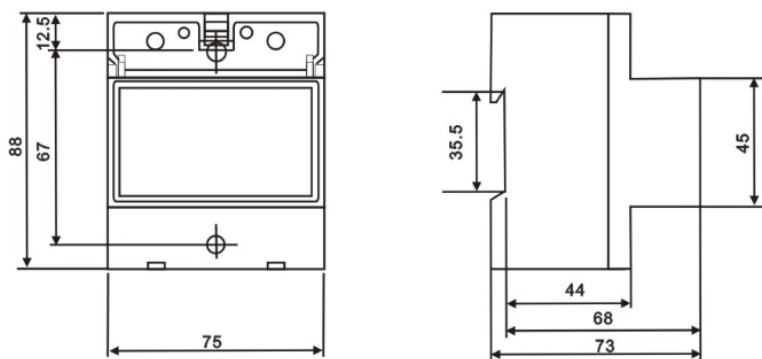
Constant	800~1600 imp/kWh
Pulse output	Passive pulse, pulse width is 80 ± 5 ms
Executive standard	DIN 43880, IEC62053-21, IEC62052-11
Outline dimension LXMxH	88x75x73mm
Weight	Approx 0.3kg

Wire connection



FM2S 3 WIRE

Outline dimension



Noting : other voltage , current are also available . Other function also can be special design as customer requirement